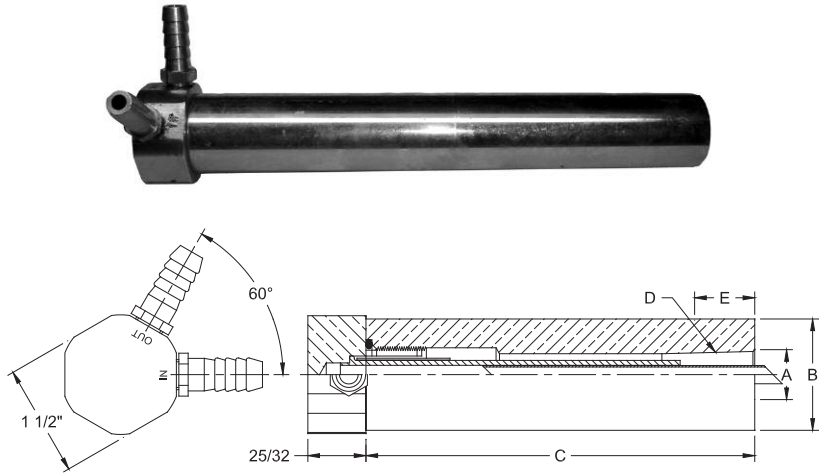


100 SERIES (NON-EJECTOR) WATER COOLED ELECTRODE HOLDER

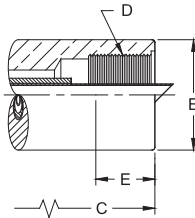
T.J. Snow Co. • (423) 894-6234 • FAX (423) 490-2417 • Authorized Distributor CMW Inc.

100 SERIES (NON-EJECTOR) WATER COOLED ELECTRODE HOLDER

100 SERIES TAPERED HOLDER					
Part No. Holder Assy.	Major Taper Dia. A	Barrel Dia. B	Barrel Length C	RW Taper D	Engagement With Std. Elect. E
18-101 18-102 18-103 18-104	.463	3/4 7/8 1 1-1/4	3	4 RW	1/2
18-106 18-107 18-108	.625	1 1-1/4 1-1/2		5 RW	3/4
18-111 18-112 18-113 18-114	.463	3/4 7/8 1 1-1/4	8	4 RW	1/2
18-116 18-117 18-118	.625	1 1-1/4 1-1/2		5 RW	3/4
18-119 18-120	.875	1-1/4 1-1/2		7 RW	1-1/8
18-131 18-132 18-133 18-134	.463	3/4 7/8 1 1-1/4	12	4 RW	1/2
18-136 18-137 18-138	.625	1 1-1/4 1-1/2		5 RW	3/4



100 SERIES THREADED HOLDER				
Part No. Holder Assy.	Barrel Dia. B	Barrel Length C	Thread Size D	Engagement With Std. Electrode E
18-169 18-170 18-171	1 1-1/4 1-1/2	8	5/8-18	9/16
18-172 18-173 18-174	1 1-1/4 1-1/2		7/8-14	9/16
18-175 18-176	1-1/4 1-1/2		1-14	3/4



See available adapters in table below.

ADAPTERS USED WITH THREADED HOLDERS

100 SERIES THREADED HOLDER ADAPTERS					
Holder Assembly No.	Adapter Part No.	Page No.	Attachment Description		
18-169 18-170 18-171	Use with	18-750	31	4 RW Female	
		18-751	31	5 RW Female	
		18-752	31	5/8-18 M. Thread	
		18-811	50	#1 Size Nu-Twist®	
18-172 18-173 18-174	Use with	18-770	31	4 RW Female	May also be used with universal Adapters having 7/8-14 Male thread See page 46
		18-771	31	5 RW Female	
18-175 18-176	Use with	18-785	31	4 RW Female	May also be used with universal Adapters having 1-14 Male thread See page 46
		18-786	31	5 RW Female	
		18-7863	31	6 RW Female	
		18-787	31	7 RW Female	
		18-812	50	#2 Size Nu-Twist®	

