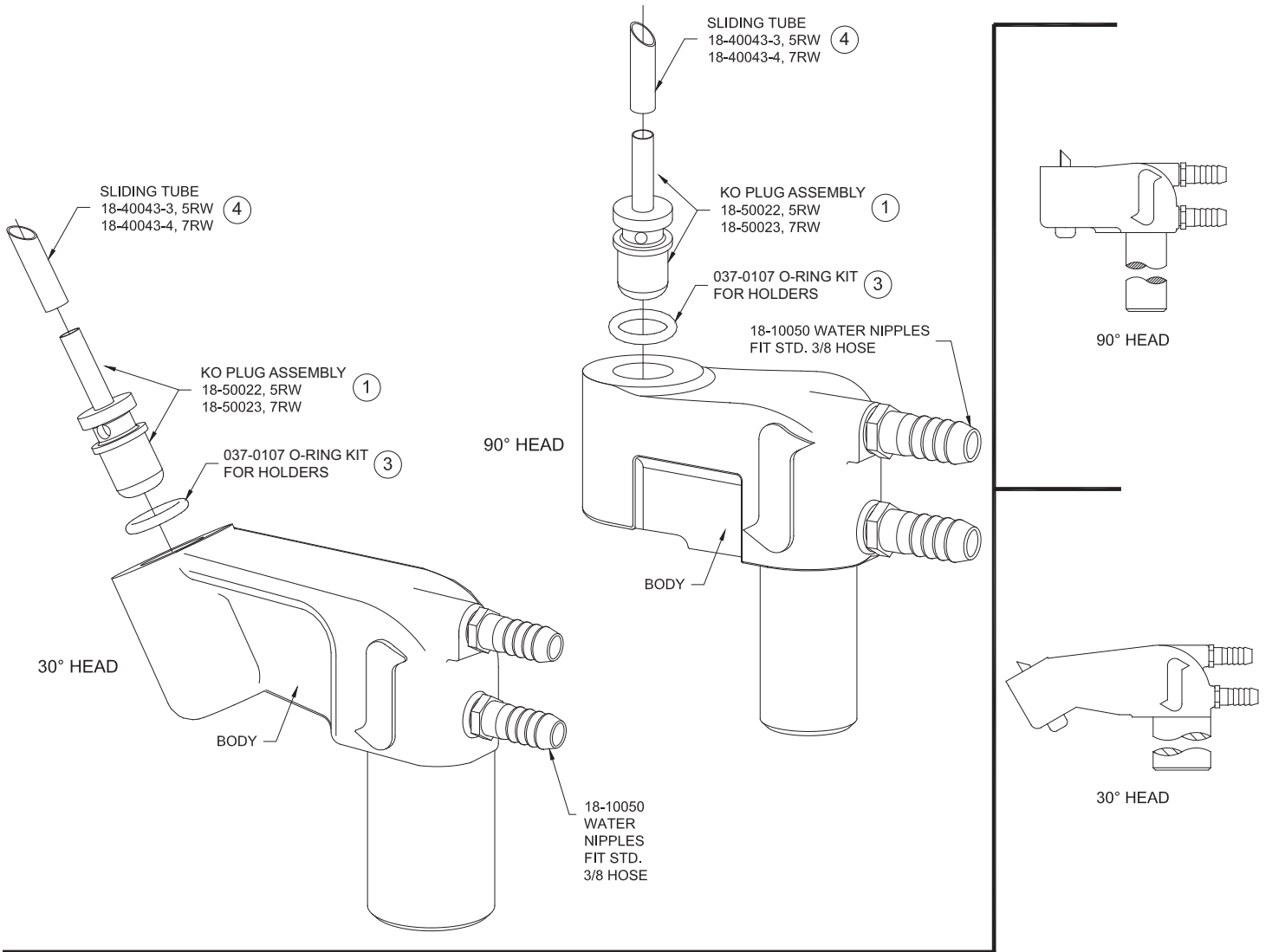




500 SERIES PREMIUM (EJECTOR) REPLACEMENT PARTS

T.J. Snow Co. • (423) 894-6234 • FAX (423) 490-2417 • Authorized Distributor CMW Inc.

500 SERIES PREMIUM (EJECTOR) WATER COOLED OFFSET HOLDERS



Part No. Holder Assy.	Taper	Angle Of Head	KO Plug Assembly 1	Sealing Ring 3	Sliding Tube 4	Shank Dia.
18-502 18-503 18-504	5 RW	90°	18-50022	18-10060-10	18-40043-3	1 1-1/4 1-1/2
18-505 18-506	7 RW	90°	18-50023	18-10060-12	18-40043-4	1-1/4 1-1/2
18-522 18-523 18-524	5 RW	90°	18-50022	18-10060-10	18-40043-3	1 1-1/4 1-1/2
18-525 18-526	7 RW	90°	18-50023	18-10060-12	18-40043-4	1-1/4 1-1/2
18-562 18-563 18-564	5 RW	30°	18-50022	18-10060-10	18-40043-3	1 1-1/4 1-1/2
18-565 18-566	7 RW	30°	18-50023	18-10060-12	18-40043-4	1-1/4 1-1/2