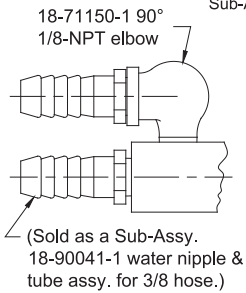
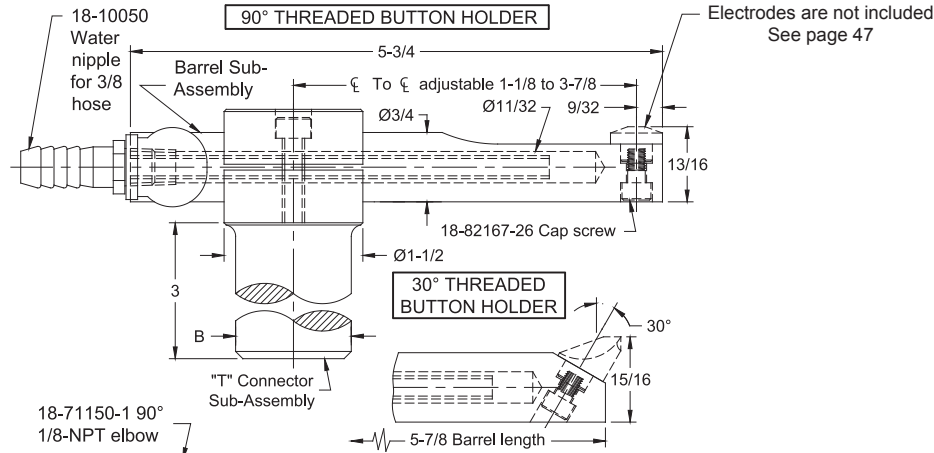


900 SERIES UNIVERSAL & 950 SERIES PADDLE WATER COOLED HOLDERS

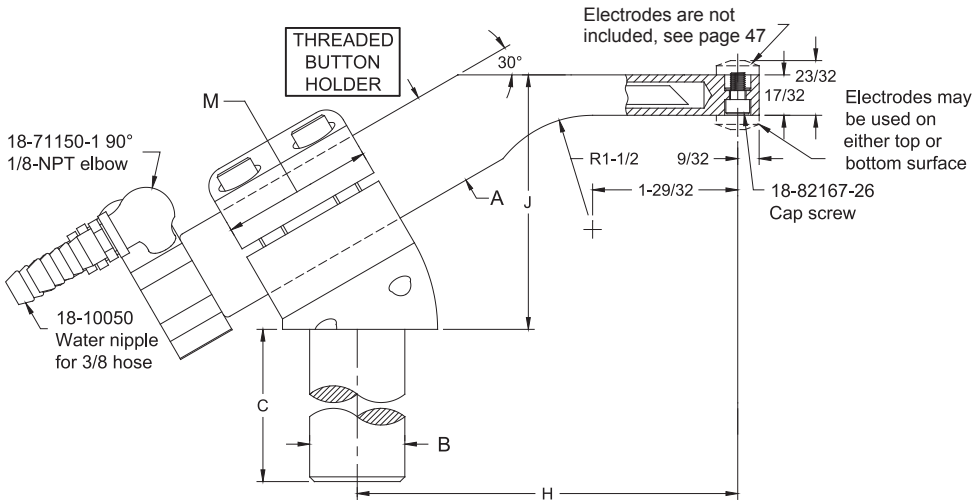
T.J. Snow Co. • (423) 894-6234 • FAX (423) 490-2417 • Authorized Distributor CMW Inc.

900 SERIES LIGHT DUTY WATER COOLED UNIVERSAL HOLDER

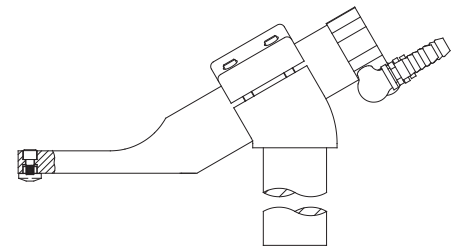


| Holder Type | Holder Assembly Part No. | Holder Angle | Shank Dia. B | Barrel Sub-Assy. | Barrel | "T" Conn. |
|-----------------|--------------------------|--------------|--------------|------------------|------------|-----------|
| Threaded Button | 18-901 | 90° | 3/4 | 18-709 | 18-70910-1 | 18-720 |
| | 18-902 | 30° | 3/4 | 18-710 | 18-71010-1 | 18-720 |
| | 18-903 | 90° | 7/8 | 18-709 | 18-70910-1 | 18-721 |
| | 18-904 | 30° | 7/8 | 18-710 | 18-71010-1 | 18-721 |
| | 18-905 | 90° | 1 | 18-709 | 18-70910-1 | 18-722 |
| | 18-906 | 30° | 1 | 18-710 | 18-71010-1 | 18-722 |
| | 18-907 | 90° | 1-1/4 | 18-709 | 18-70910-1 | 18-723 |
| | 18-908 | 30° | 1-1/4 | 18-710 | 18-71010-1 | 18-723 |
| | 18-909 | 90° | 1-1/2 | 18-709 | 18-70910-1 | 18-724 |
| | 18-900 | 30° | 1-1/2 | 18-710 | 18-71010-1 | 18-724 |

950 SERIES WATER COOLED PADDLE HOLDERS FOR THREADED BUTTON ELECTRODES



| Holder Type | Holder Assembly Part No. | Barrel Dia. A | Shank Dia. B | Shank Length C | Offset Range H | Height Range J | Width M | Barrel Sub-Assy. | "T" Conn. |
|-----------------|--------------------------|---------------|--------------|----------------|-------------------|------------------|---------|------------------|-----------|
| Threaded Button | 18-952 | 1 | 7/8 | 3 | 3-3/8 to 5-3/32 | 2-1/16 to 3-1/16 | 1-1/2 | 18-713 | 18-731 |
| | 18-953 | 1 | 1 | 1 | 3-3/8 to 5-3/32 | 2-1/16 to 3-1/16 | 1-1/2 | 18-713 | 18-732 |
| | 18-954 | 1-1/4 | 1-1/4 | 3-1/2 | 4 to 5-23/32 | 2-3/4 to 3-3/4 | 1-3/4 | 18-714 | 18-733 |
| | 18-955 | 1-1/2 | 1-1/2 | 4 | 4-7/32 to 5-15/16 | 2-7/8 to 3-7/8 | 2 | 18-715 | 18-734 |



VIEW IS SHOWING BARREL SUB-ASSY AND ELECTRODE REVERSED IN SHANK