

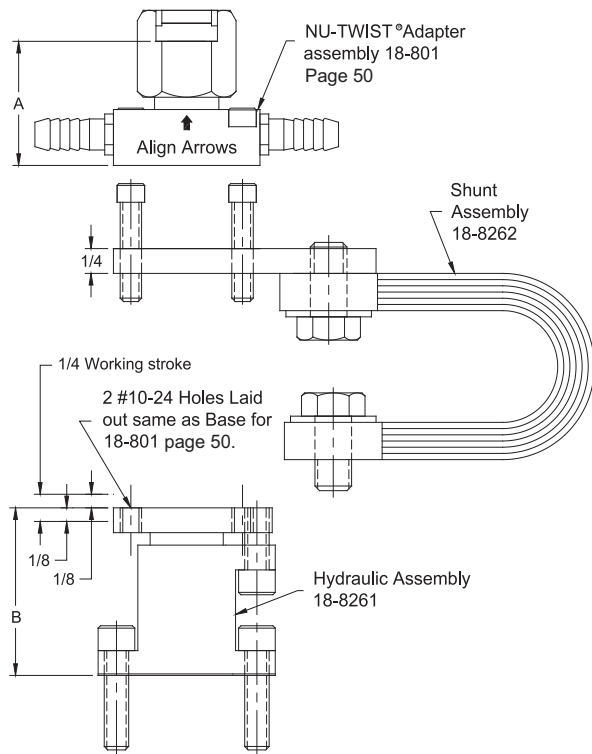
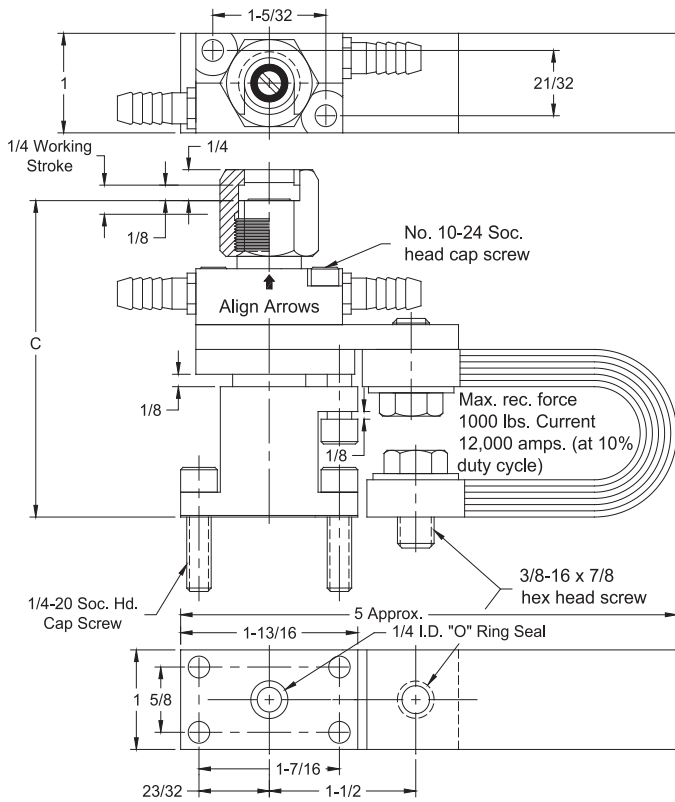
CMW HYDRAULIC EQUALIZING ADAPTERS AND ASSEMBLIES

T.J. Snow Co. • (423) 894-6234 • FAX (423) 490-2417 • Authorized Distributor CMW Inc.

HYDRAULIC EQUALIZING ADAPTERS AND ASSEMBLIES

CMW Hydraulic Equalizing adapter units are used to equalize the weld force when two or more welds are required simultaneously. The equalizing action is developed in a closed hydraulic system - and is accomplished by hydraulically interconnecting two or more units. We recommend using fire resistant hydraulic fluid compatible with BUNA "N" such as HOUGHTO-SAFE #620, 1120 or equivalent. Consult your local industrial lubricant distributor.

18-826 #1 SIZE UNIT WITH NU-TWIST® SHOWN



Complete Unit Part No.	Unit Size.	Electrode Attachment	Included Tapered Adapters	Height	Mean Height	Mean Electrode Engagement Height
18-826	#1	NU-TWIST®	--	1-1/4		3-13/64
18-82650	#1	1/2-14 Pipe Thd.	--	1-1/2		3-29/64
18-82651	#1 with adapters	5 RW Male cap	18-7465-07	1-59/64	1-43/64	3-7/8
18-82652		4 RW	18-746-07	1-51/64		3-3/4
18-82653		5 RW	18-747-07	1-51/64		3-3/4

*037-0108 Rebuild Kit for Hydraulic Equalizers

Contact Factory
All above items
priced and made
to special order.

