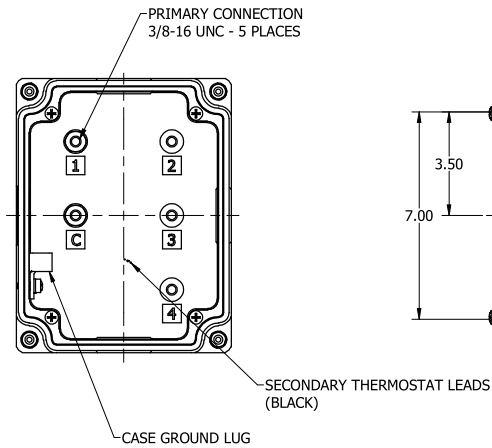
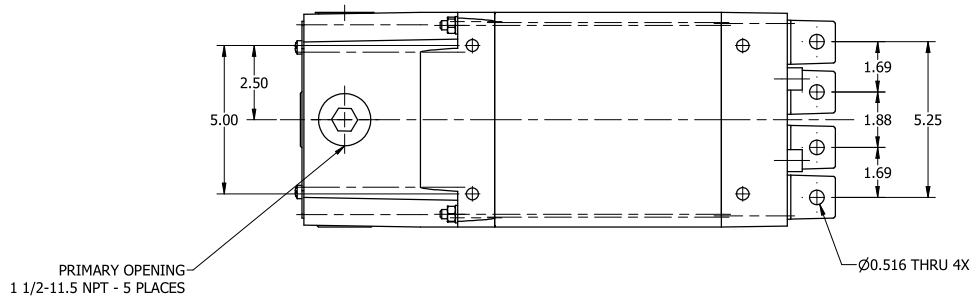
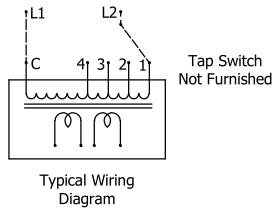
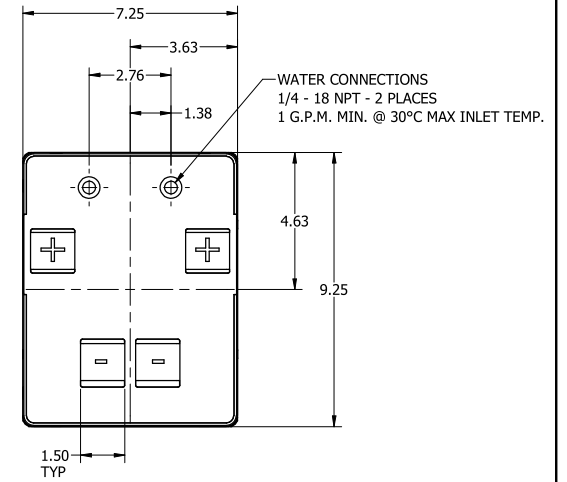
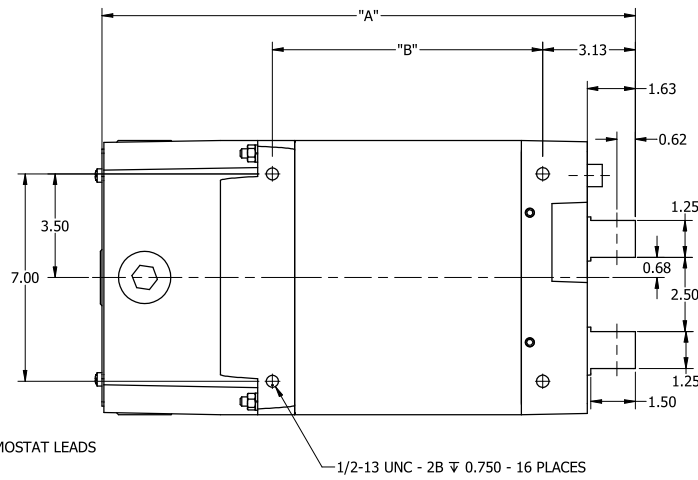


FRAME	Dimension "A"	Dimension "B"
A	16.88	8.00
E	18.00	9.12
B	19.88	11.00
J	21.62	12.75
JL	25.00	16.12



**VIEW SHOWN WITH
COVER REMOVED**



REV	DESCRIPTION	EJM	KLY	DATE
A	CHANGED ORIENTATION OF PRIMARY STUDS, ADDED WIRING DIAGRAM			10/15/2012
<small>© 2012 Rowan Manufacturing. This drawing is the property of Rowan Manufacturing, Inc. and is not to be reproduced in any form without the written consent of Rowan Manufacturing, Inc. All dimensions are in inches unless otherwise noted. This drawing is for informational purposes only and does not constitute a contract. The manufacturer shall not be held responsible for any errors or omissions in this drawing. The manufacturer shall not be held responsible for any damage or injury resulting from the use of this drawing.</small>				
DATE:	7/6/2012	DESIGNER:	emiedema	
SCALE:	NONE	CHECKER:	lbrk	
MANUFACTURING		WORKSHEET: N/A		
TRANSFORMER ASSEMBLY				
DRAWING NUMBER:				R4506
RWMA STAGGERED - A,E,B,J,L				