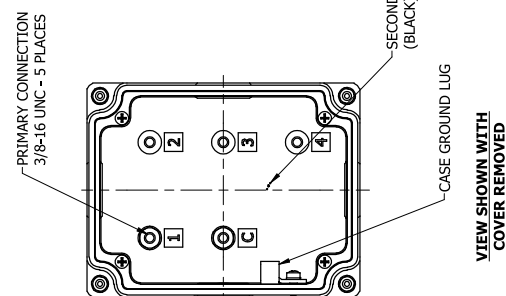
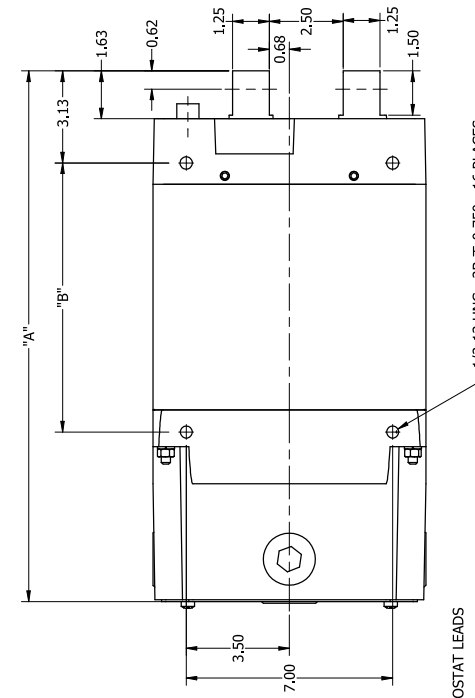
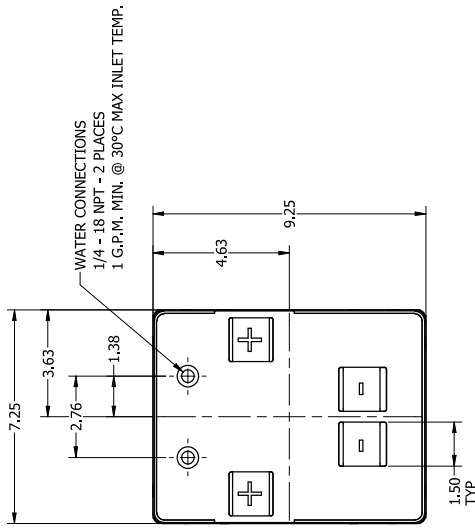
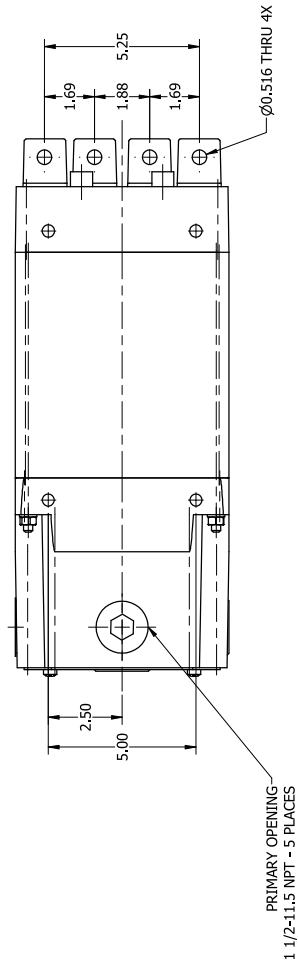
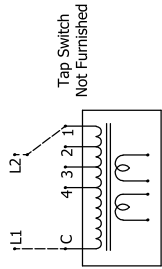


FRAME	Dimension "A"	Dimension "B"
A	16.88	8.00
E	18.00	9.12
B	19.88	11.00
J	21.62	12.75
JL	25.00	16.12



REV	DESCRIPTION	EPM	KLY	DATE
A	CHANGED OBSERVATION OF PRIMARY STUDS. ADDED WIRING DIAGRAM			10/15/2012

SCALE	DATE	SCALE	DATE
NONE	7/6/2012	NONE	

DESIGNED BY	CHECKED BY	DATE
ROVMAN	ROVMAN	

PROJECT	DESCRIPTION
TRANSFORMER ASSEMBLY	

REVISED BY	DATE
R4506	