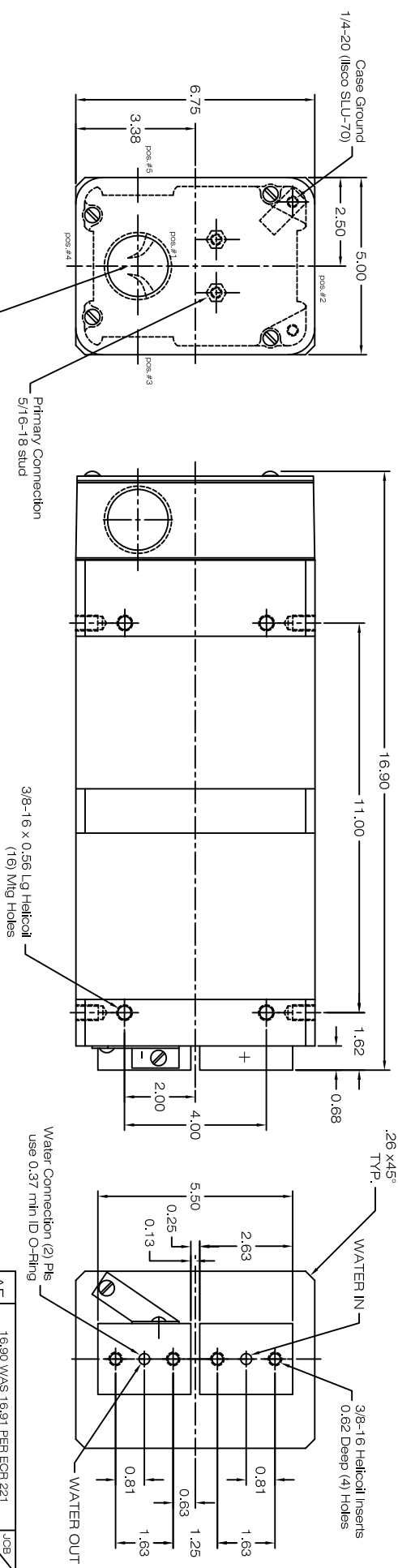
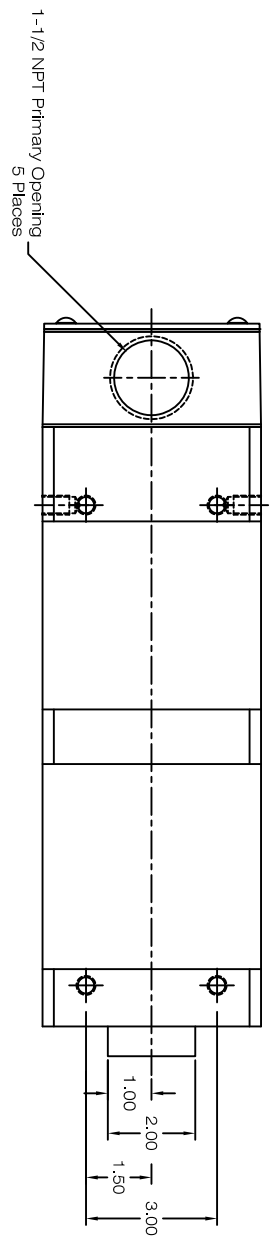
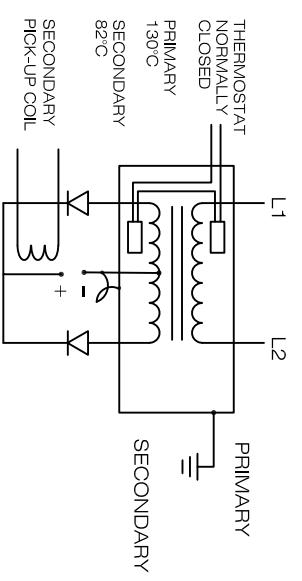


MODEL	CHRYSLER MODEL NO.	KVA @ 50% DUTY CYCLE	PRIMARY VOLT/FREQ	SECONDARY VOLTAGE (DC) LO-TAP HI-TAP	TURNS RATIO LO-TAP HI-TAP	WEIGHT LBS
TDC-1042	91-901-1200	100	650/1000HZ	9.0 - -	72:1 -	70
TDC-5515	-----	100	800/1000HZ	9.1 - -	88:1 -	70
TDC-7073	-----	100	325/1000HZ	9.0 - -	36:1 -	70

COOLING REQUIREMENTS: 2.0 GPM @ 30°C



Thermostat connection & Secondary Pick-up Coil connection

Primary Connection 5/16-18 stud

ALL DIMENSIONS IN INCHES

REV	DESCRIPTION	DATE
AE	16.90 WAS 16.91 PER ECR 221	19MAY15
AD	ADDED PICK-UP COIL TO MODEL	08JAN13
AC	ADDED TDC-7073	28FEB12

REV	DESCRIPTION	DATE
AE	16.90 WAS 16.91 PER ECR 221	19MAY15
AD	ADDED PICK-UP COIL TO MODEL	08JAN13
AC	ADDED TDC-7073	28FEB12

DATE	MANUFACTURING	APPROX	DATE
14JAN1997	MANUFACTURING	ACG	

DATE	MANUFACTURING	APPROX	DATE
14JAN1997	MANUFACTURING	ACG	

DATE	MANUFACTURING	APPROX	DATE
14JAN1997	MANUFACTURING	ACG	

DATE	MANUFACTURING	APPROX	DATE
14JAN1997	MANUFACTURING	ACG	

DATE	MANUFACTURING	APPROX	DATE
14JAN1997	MANUFACTURING	ACG	

DATE	MANUFACTURING	APPROX	DATE
14JAN1997	MANUFACTURING	ACG	

DATE	MANUFACTURING	APPROX	DATE
14JAN1997	MANUFACTURING	ACG	

DATE	MANUFACTURING	APPROX	DATE
14JAN1997	MANUFACTURING	ACG	

DATE	MANUFACTURING	APPROX	DATE
14JAN1997	MANUFACTURING	ACG	

DATE	MANUFACTURING	APPROX	DATE
14JAN1997	MANUFACTURING	ACG	

DATE	MANUFACTURING	APPROX	DATE
14JAN1997	MANUFACTURING	ACG	

DATE	MANUFACTURING	APPROX	DATE
14JAN1997	MANUFACTURING	ACG	

DATE	MANUFACTURING	APPROX	DATE
14JAN1997	MANUFACTURING	ACG	

DATE	MANUFACTURING	APPROX	DATE
14JAN1997	MANUFACTURING	ACG	

DATE	MANUFACTURING	APPROX	DATE
14JAN1997	MANUFACTURING	ACG	

DATE	MANUFACTURING	APPROX	DATE
14JAN1997	MANUFACTURING	ACG	

DATE	MANUFACTURING	APPROX	DATE
14JAN1997	MANUFACTURING	ACG	

DATE	MANUFACTURING	APPROX	DATE
14JAN1997	MANUFACTURING	ACG	

DATE	MANUFACTURING	APPROX	DATE
14JAN1997	MANUFACTURING	ACG	

DATE	MANUFACTURING	APPROX	DATE
14JAN1997	MANUFACTURING	ACG	

DATE	MANUFACTURING	APPROX	DATE
14JAN1997	MANUFACTURING	ACG	

DATE	MANUFACTURING	APPROX	DATE
14JAN1997	MANUFACTURING	ACG	

DATE	MANUFACTURING	APPROX	DATE
14JAN1997	MANUFACTURING	ACG	

DATE	MANUFACTURING	APPROX	DATE
14JAN1997	MANUFACTURING	ACG	

DATE	MANUFACTURING	APPROX	DATE
14JAN1997	MANUFACTURING	ACG	

DATE	MANUFACTURING	APPROX	DATE
14JAN1997	MANUFACTURING	ACG	

DATE	MANUFACTURING	APPROX	DATE
14JAN1997	MANUFACTURING	ACG	

DATE	MANUFACTURING	APPROX	DATE
14JAN1997	MANUFACTURING	ACG	

DATE	MANUFACTURING	APPROX	DATE
14JAN1997	MANUFACTURING	ACG	

DATE	MANUFACTURING	APPROX	DATE
14JAN1997	MANUFACTURING	ACG	

DATE	MANUFACTURING	APPROX	DATE
14JAN1997	MANUFACTURING	ACG	

DATE	MANUFACTURING	APPROX	DATE
14JAN1997	MANUFACTURING	ACG	

DATE	MANUFACTURING	APPROX	DATE
14JAN1997	MANUFACTURING	ACG	

DATE	MANUFACTURING	APPROX	DATE
14JAN1997	MANUFACTURING	ACG	

DATE	MANUFACTURING	APPROX	DATE
14JAN1997	MANUFACTURING	ACG	

DATE	MANUFACTURING	APPROX	DATE
14JAN1997	MANUFACTURING	ACG	

DATE	MANUFACTURING	APPROX	DATE
14JAN1997	MANUFACTURING	ACG	

DATE	MANUFACTURING	APPROX	DATE
14JAN1997	MANUFACTURING	ACG	

DATE	MANUFACTURING	APPROX	DATE
14JAN1997	MANUFACTURING	ACG	

DATE	MANUFACTURING	APPROX	DATE
14JAN1997	MANUFACTURING	ACG	

DATE	MANUFACTURING	APPROX	DATE
14JAN1997	MANUFACTURING	ACG	

DATE	MANUFACTURING	APPROX	DATE
14JAN1997	MANUFACTURING	ACG	

DATE	MANUFACTURING	APPROX	DATE
14JAN1997	MANUFACTURING	ACG	

DATE	MANUFACTURING	APPROX	DATE
14JAN1997	MANUFACTURING	ACG	

DATE	MANUFACTURING	APPROX	DATE
14JAN1997	MANUFACTURING	ACG	

DATE	MANUFACTURING	APPROX	DATE
14JAN1997	MANUFACTURING	ACG	

DATE	MANUFACTURING	APPROX	DATE
14JAN1997	MANUFACTURING	ACG	

DATE	MANUFACTURING	APPROX	DATE
14JAN1997	MANUFACTURING	ACG	

DATE	MANUFACTURING	APPROX	DATE
14JAN1997	MANUFACTURING	ACG	

DATE	MANUFACTURING	APPROX	DATE
14JAN1997	MANUFACTURING	ACG	

DATE	MANUFACTURING	APPROX	DATE
14JAN1997	MANUFACTURING	ACG	

DATE	MANUFACTURING	APPROX	DATE
14JAN1997	MANUFACTURING	ACG	

DATE	MANUFACTURING	APPROX	DATE
14JAN1997	MANUFACTURING	ACG	

DATE	MANUFACTURING	APPROX	DATE
14JAN1997	MANUFACTURING	ACG	

DATE	MANUFACTURING	APPROX	DATE
14JAN1997	MANUFACTURING	ACG	

DATE	MANUFACTURING	APPROX	DATE
14JAN1997	MANUFACTURING	ACG	

DATE	MANUFACTURING	APPROX	DATE
14JAN1997	MANUFACTURING	ACG	

DATE	MANUFACTURING	APPROX	DATE
14JAN1997	MANUFACTURING	ACG	

DATE	MANUFACTURING	APPROX	DATE
14JAN1997	MANUFACTURING	ACG	

DATE	MANUFACTURING	APPROX	DATE
14JAN1997	MANUFACTURING	ACG	

DATE	MANUFACTURING	APPROX	DATE
14JAN1997	MANUFACTURING	ACG	

DATE	MANUFACTURING	APPROX	DATE
14JAN1997	MANUFACTURING	ACG	

DATE	MANUFACTURING	APPROX	DATE
14JAN1997	MANUFACTURING	ACG	

DATE	MANUFACTURING	APPROX	DATE
14JAN1997	MANUFACTURING	ACG	

DATE	MANUFACTURING	APPROX	DATE
14JAN1997	MANUFACTURING	ACG	

DATE	MANUFACTURING	APPROX	DATE
14JAN1997	MANUFACTURING	ACG	

DATE	MANUFACTURING	APPROX	DATE
14JAN1997	MANUFACTURING	ACG	

DATE	MANUFACTURING	APPROX	DATE
14JAN1997	MANUFACTURING	ACG	

DATE	MANUFACTURING	APPROX	DATE
14JAN1997	MANUFACTURING	ACG	

DATE	MANUFACTURING	APPROX	DATE
14JAN1997	MANUFACTURING	ACG	

DATE	MANUFACTURING	APPROX	DATE
14JAN1997	MANUFACTURING	ACG	

DATE	MANUFACTURING	APPROX	DATE
14JAN1997	MANUFACTURING	ACG	

DATE	MANUFACTURING	APPROX	DATE
14JAN1997	MANUFACTURING	ACG	

DATE	MANUFACTURING	APPROX	DATE
14JAN1997	MANUFACTURING	ACG	

DATE	MANUFACTURING	APPROX	DATE
14JAN1997	MANUFACTURING	ACG	

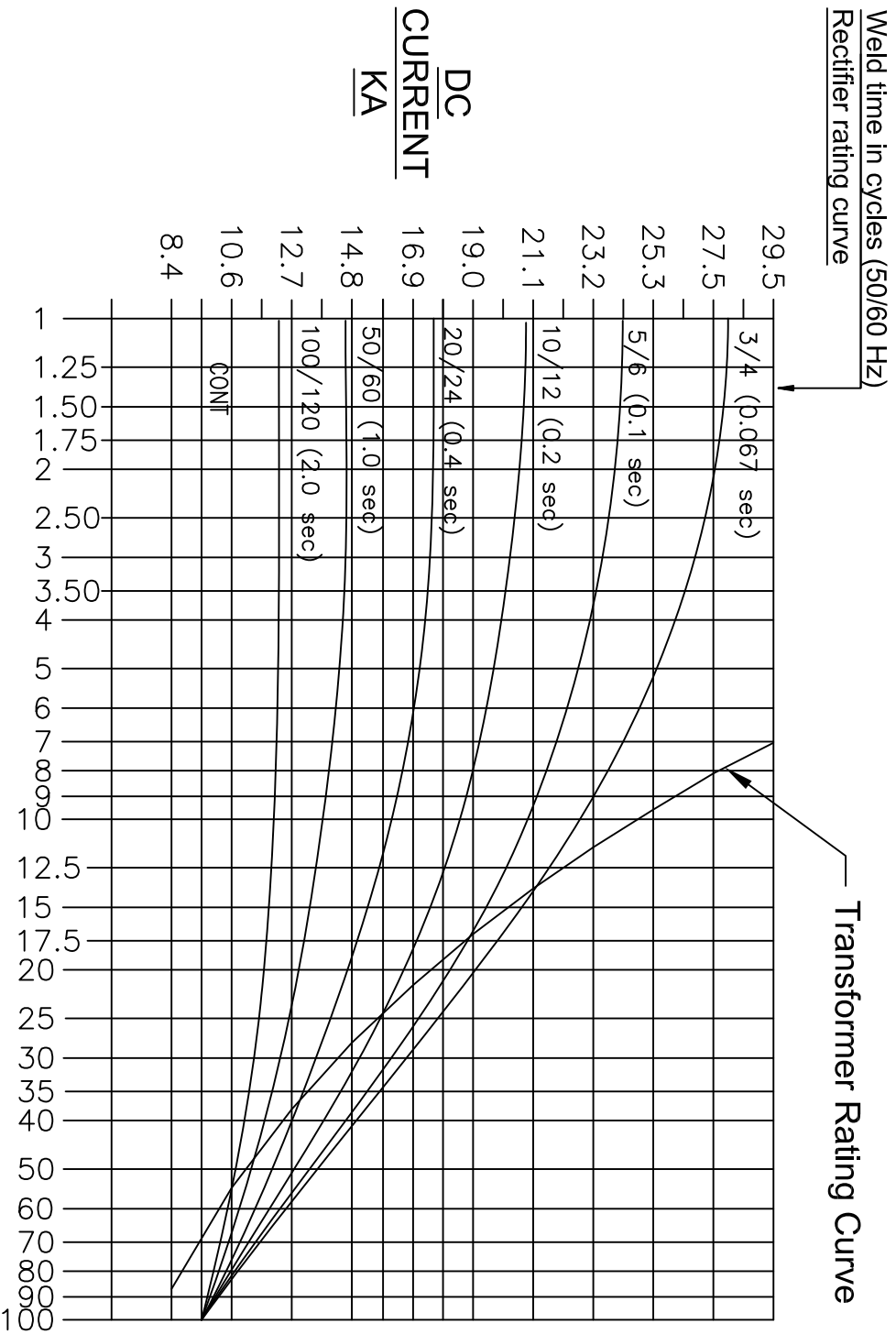
DATE	MANUFACTURING	APPROX	DATE
14JAN1997	MANUFACTURING	ACG	

DATE	MANUFACTURING	APPROX	DATE
14JAN1997	MANUFACTURING	ACG	

DATE	MANUFACTURING	APPROX	DATE
14JAN1997	MANUFACTURING	ACG	

DATE	MANUFACTURING	
------	---------------	--

Power Supply Rating Diagram, Single Phase, Center Tap Rectifier. Size "2" Rectifier



Where used

TDC-1042
TDC-1060
TDC-1061
TDC-1064
TDC-1102
TDC-5007
TDC-5181
TDC-5182
TDC-5277
TDC-5345
TDC-5515
TDC-5602
TDC-5731
TDC-6095
TDC-6232
TDC-6810
TDC-7073

Notes:

These curves are based on rated water flow of 2 G.P.M (7.5 L.P.M.).
Maximum water in temperature of 30°C.

For applications above a 20% duty cycle, contact
Roman Manufacturing for assistance.

Rectifier Rating:

% Duty Cycle is based on shortest time from beginning of one
weld to the beginning of next weld. On time/(On + Off time).

Transformer Rating:

% Duty Cycle is total "On" time in one minute.

DUTY CYCLE (%)

REV	DESCRIPTION	DATE
L	Added TDC-6810 to Where Used List	24May11

REV	DESCRIPTION	DATE
L	Added TDC-6810 to Where Used List	24May11

DATE:	16Jun98	SCALE:	None
DRAWN BY:	ACG	REVISIONS:	

Rating Curve

DRAWING NUMBER: 1110078