

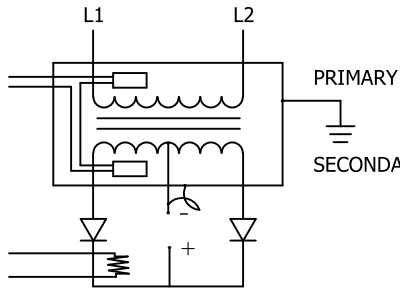
ROMAN MODEL	KVA @ 50% DUTY CYCLE	PRI V/ FREQ	V/SEC	URNS RATIO	DIM "A"	DIM "B"	WEIGHT/ LBS (KG)	MAX. CHANGE IN PRESSURE	FLOW RATE	DCX NUMBER
TDC-5610	135	650/1000	9.0	72:1	463	279	70(32)	14 PSI (.96 BAR)	7.5 LPM	91-680-0516
TDC-5704	185	650/1000	13.0	50:1	463	279	70(32)	14 PSI (.96 BAR)	7.5 LPM	-
TDC-5681	135	800/1000	9.1	88:1	463	279	70(32)	14 PSI (.96 BAR)	7.5 LPM	-
TDC-5705	185	800/1000	13.0	61:1	463	279	70(32)	14 PSI (.96 BAR)	7.5 LPM	-

THERMOSTAT NORMALLY CLOSED

PRIMARY 130°C

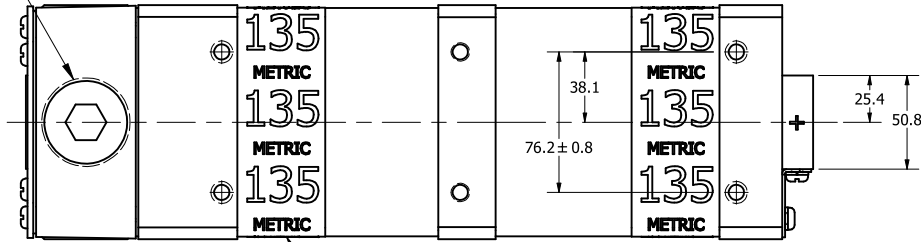
SECONDARY 80°C

SECONDARY PICKUP COIL



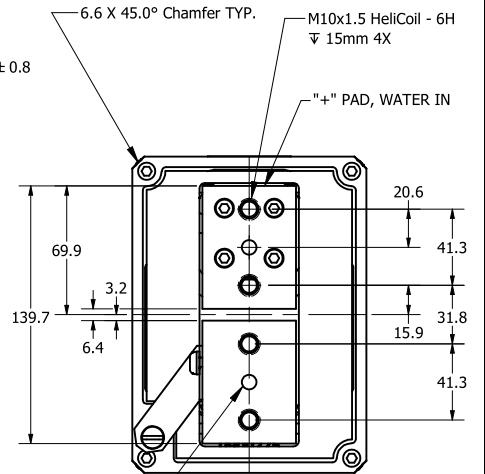
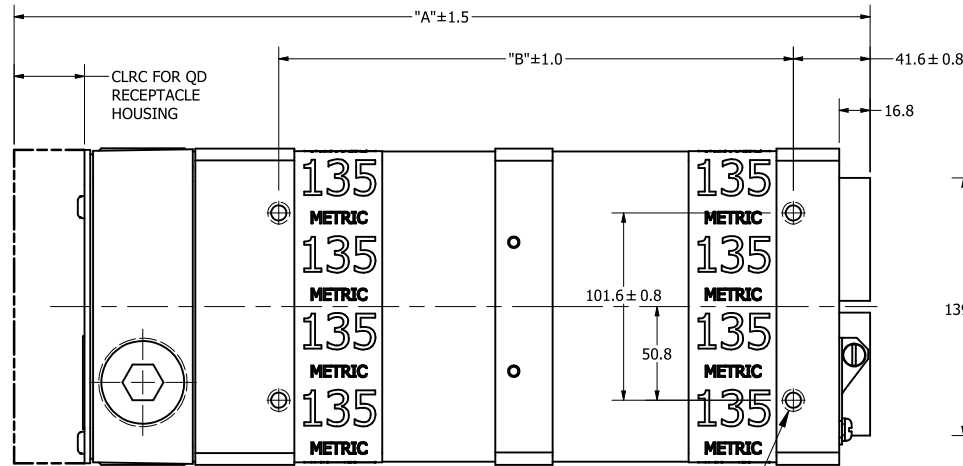
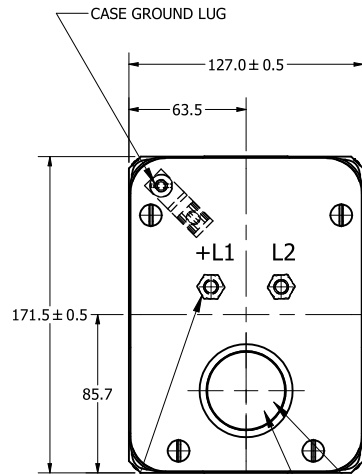
TRANSFORMER CASE MUST BE GROUNDED. TRANSFORMER WILL BE SHIPPED WITH A JUMPER CONNECTING SECONDARY CENTER TAP TO CASE. USER MUST PROVIDE APPROPRIATE GROUNDING OF SECONDARY CIRCUIT. FOR APPLICATIONS ABOVE A 20% DUTY CYCLE, CONTACT ROMAN MANUFACTURING FOR ASSISTANCE.

1 1/2 NPT PRI. OPENING 5X



KVA STICKER WILL REFLECT CORRECT RATING PER SPECIFIED POWER SUPPLY

NOTE*
The secondary terminals of this device are intended as an electrical connection only. Applications must be designed to minimize any forces applied to the secondary terminals, this can be accomplished by transferring forces to a structural member.



WATER CONNECTION (2X) USE 10mm I.D. O-RING 30°C MAX. INLET TEMP.

CONTACT THE MANUFACTURER FOR PERFORMANCE SPECIFICATIONS

CASE GROUND LUG
127.0 ± 0.5
63.5
171.5 ± 0.5
85.7
PICK UP COIL (BROWN & WHITE WIRES)
PRIMARY CONNECTION M8-1.25 STUDS
OVER TEMPERATURE SENSING LEADS

M10x1.5 HeliCoil - 6H 16 MTG. HOLES

6.6 X 45.0° Chamfer TYP.
M10x1.5 HeliCoil - 6H 16 MTG. HOLES

"+" PAD, WATER IN

REV	DESCRIPTION	DATE
G	ADDED 6.6 x 45 DEG CHAMFER WAS 7/16 RADII	BCC KLY 8/04/2006
F	ADDED KVA IDENTIFICATION LABELS	TV KLY 12/18/2005
E	ADDED 'TDC-5704' & 'TDC-5705' TO TABLE	RB KLY 10/10/2005

THIS DRAWING AND ALL THE INFORMATION AND TECHNOLOGY IN IT ARE EXCLUSIVE, CONFIDENTIAL AND PROPRIETARY TO ROMAN MFG. INC. THIS DRAWING IS OWNED BY ROMAN MFG. INC. AND UNLESS SPECIFICALLY AUTHORIZED IN WRITING, NO COPIES SHALL BE MADE OF THIS DRAWING, AND SHALL BE USED ONLY FOR THE LIMITED PURPOSE FOR WHICH IT IS DISCLOSED AND ONLY TO THE BENEFIT OF ROMAN MFG. INC., AND IT AND ANY COPIES, AUTHORIZED OR NOT, SHALL BE IMMEDIATELY RETURNED UPON ANY REQUEST THEREFOR.

SCALE: HALF
DATE: 5/3/2005

DRAWN BY: tvandyke
WEIGHT: N/A

POWER SUPPLY

DRAWING NUMBER: **5610-1**

ALL DIMENSIONS IN MM

Rating Curve for RoMan TDC-5705 , 1 coolant circuits at 2 GPM minimum (7.5 LPM) per circuit, 185 kVA @ 50% duty cycle and 13.1 VDC (transformer). 30 C max coolant inlet temp, 10 million weld life expectation at these conditions, Contact RoMan if duty cycle exceeds

