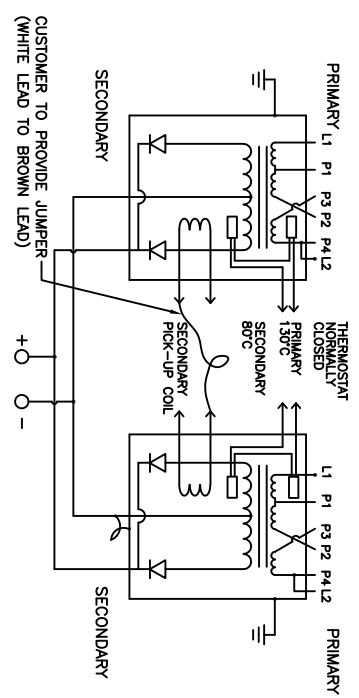
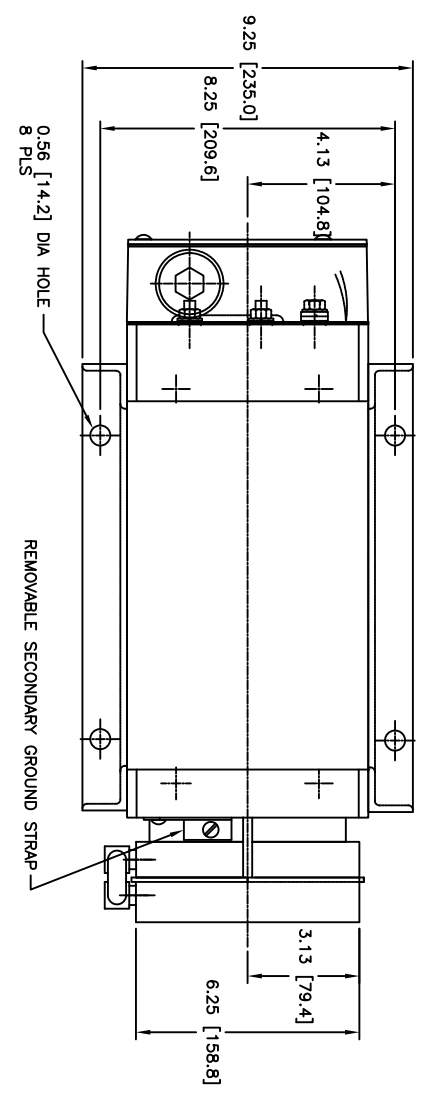
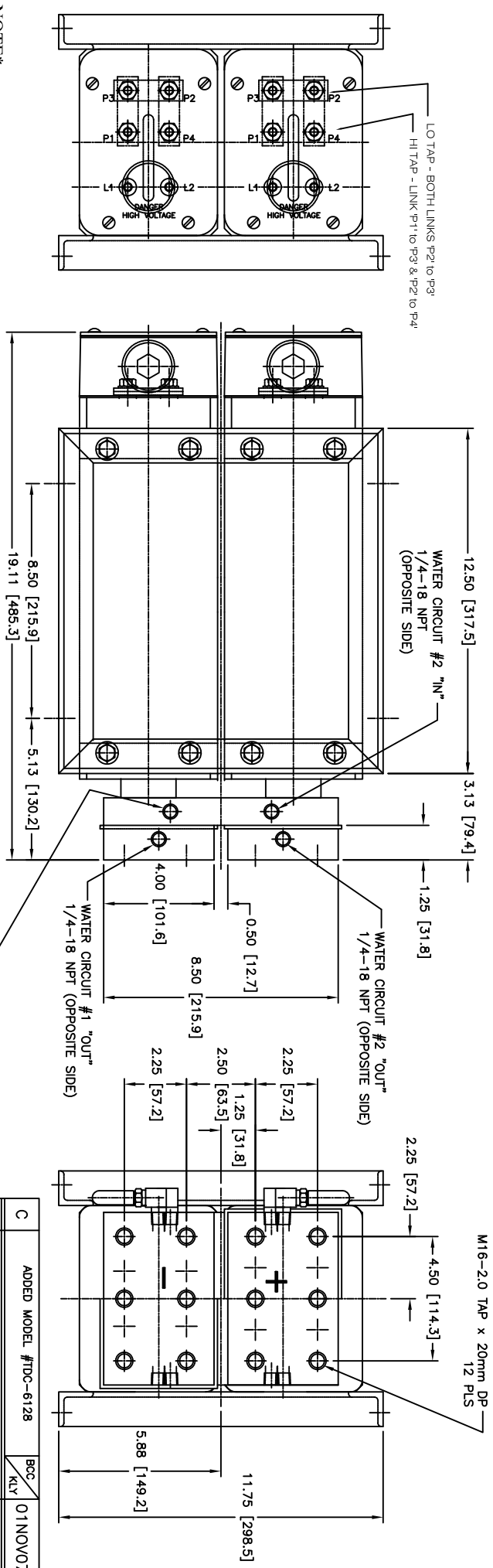


COOLING REQUIREMENTS: 7.5 LPM @ 30°C PER CURCUIT
15 LPM TOTAL

KVA ● 50% Dc	MODEL NUMBER	PRIMARY VOLT/FREQ	SECONDARY VOLTAGE		TURNS RATIO		WEIGHT LBS	FLOW RATE LPM
			TAP 1	TAP 2	TAP 1	TAP 2		
320	TDC-5874	500V/1000HZ	9.0	13.1	55:1	38:1	190	15
320	TDC-5876	650V/1000HZ	9.0	13.0	72:1	50:1	190	15
320	TDC-6128	800V/1000HZ	9.1	13.1	88:1	61:1	190	15



TRANSFORMER CASE MUST BE GROUNDED.
CONNECTING SECONDARY CENTER TAP TO CASE.
USER MUST PROVIDE APPROPRIATE GROUNDING
OF SECONDARY CIRCUIT. FOR APPLICATIONS
ABOVE A 20% DUTY CYCLE, CONTACT ROMAN
MANUFACTURING FOR ASSISTANCE.



NOTE*
The secondary terminals of this device are intended as an electrical connection only. Applications must be designed to minimize any forces applied to the secondary terminals, this can be accomplished by transferring forces to a structural member.

REVISIONS:

REV	DESCRIPTION	DATE
C	ADDED MODEL #TDC-6128	01NOV07

DATE: 03NOV06
SCALE: NONE
DRAWN BY: RB
APPROX: [Signature]
MANUFACTURING

POWER SUPPLY

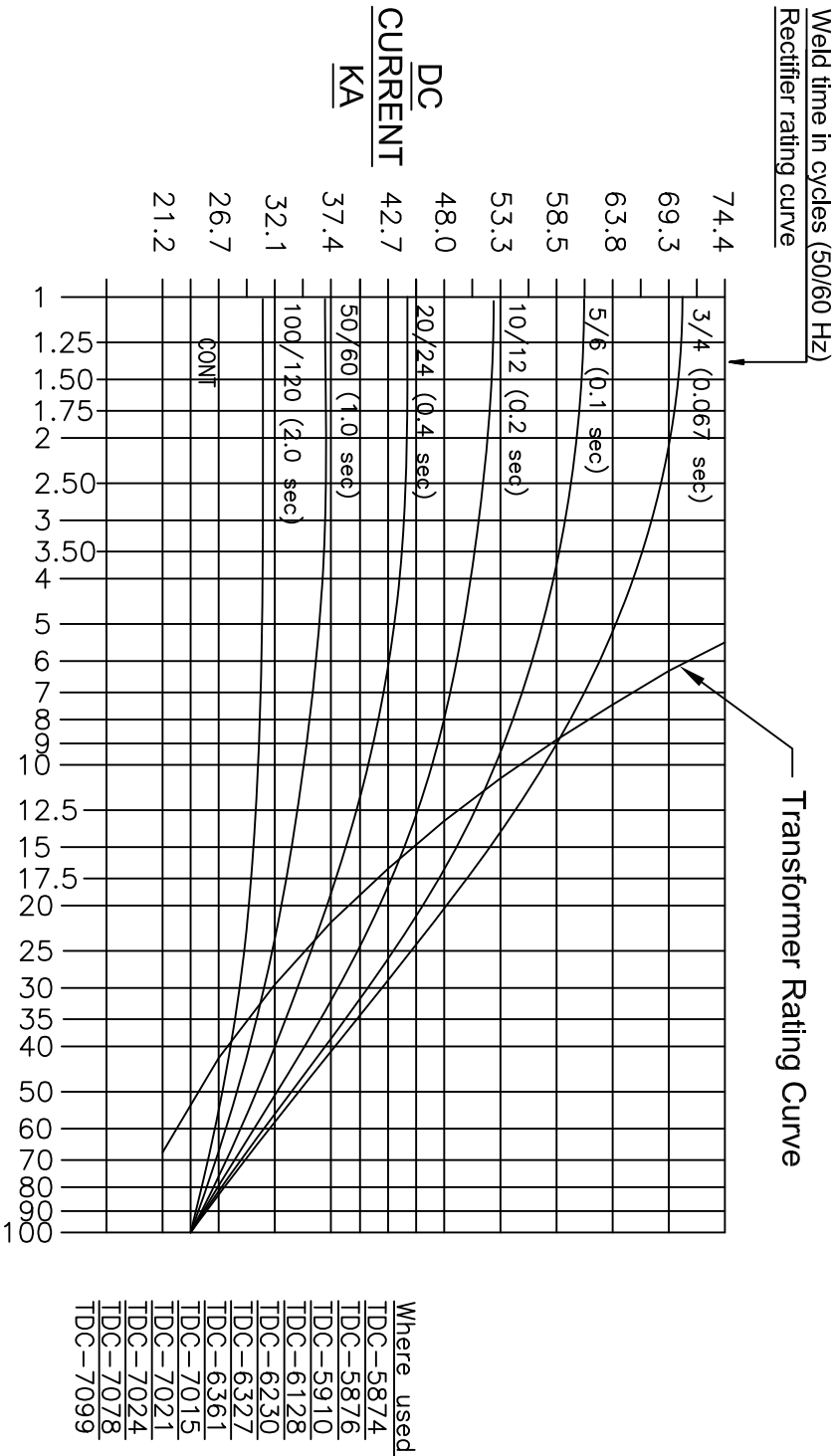
ADDED SECONDARY GROUND STRAP & NOTE TO DRAWING

BCC: 04JAN10
KLY: [Signature]

PHYSICAL DRAWING

DRAWING NUMBER: 5874-1

Power Supply Rating Diagram, Single Phase, Center Tap Rectifier. Size 6 Rectifier



Notes:
These curves are based on rated water flow of 2 G.P.M. (7.5 L.P.M.)
Maximum water in temperature of 30°C.
For applications above a 20% duty cycle, contact
Roman Manufacturing for assistance.

Rectifier Rating:
% Duty Cycle is based on shortest time from beginning of one
weld to the beginning of next weld. On time/(On + Off time).

Transformer Rating:
% Duty Cycle is total "On" time in one minute.

DUTY CYCLE (%)

H	ADDED TDC-7078 TO "WHERE USED"	BCC KLY	21MAR12
G	ADDED TDC-7021 TO "WHERE USED"	BCC KLY	20Oct11
F	ADDED TDC-7024 TO "WHERE USED"	KLY GMA	06Oct11
E	ADDED TDC-7015 TO "WHERE USED"	KLY KLY	29Sep11
D	ADDED TDC-6361 TO "WHERE USED"	RB KLY	19Nov08

REV	DESCRIPTION	DATE
A	Added TDC-6230 to where used list	05Jun08
B	Added TDC-6128 to where used list	04Aug08
C	ADDED TDC-5910 & TDC-6327 TO WHERE USED LIST	02OCT08

REV	DESCRIPTION	DATE
A	Added TDC-6230 to where used list	05Jun08
B	Added TDC-6128 to where used list	04Aug08
C	ADDED TDC-5910 & TDC-6327 TO WHERE USED LIST	02OCT08

DATE: 06Nov06	SCALE: NONE	DRAWN BY: KLY
ROWAN MANUFACTURING		

RATING CURVE

DRAWING NUMBER: RC-5874
