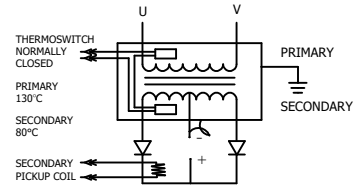


MODEL NUMBER	KVA @ 50% DUTY CYCLE	PRI V / FREQ	SEC V	TURNS RATIO	MAX. Δ P	STEPS	FLOW RATE	APPROX. WEIGHT
TDC-8438	100	650/1000	9.0	72:1	10 PSI (.69 BAR)	1	6 LPM	16.8 KG

COOLING: RATINGS BASED ON 30°C MAX INLET TEMPERATURE

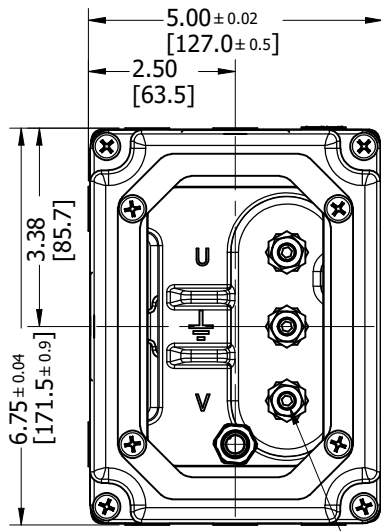


TRANSFORMER CASE MUST BE GROUNDED.  
 FOR SAFETY, ROMAN MFG. RECOMMENDS GROUNDING OF SECONDARY CIRCUIT PER OUR UNIVERSAL PRODUCT MANUAL. TRANSFORMER IS SHIPPED WITH A BONDING JUMPER BETWEEN SECONDARY & CASE.

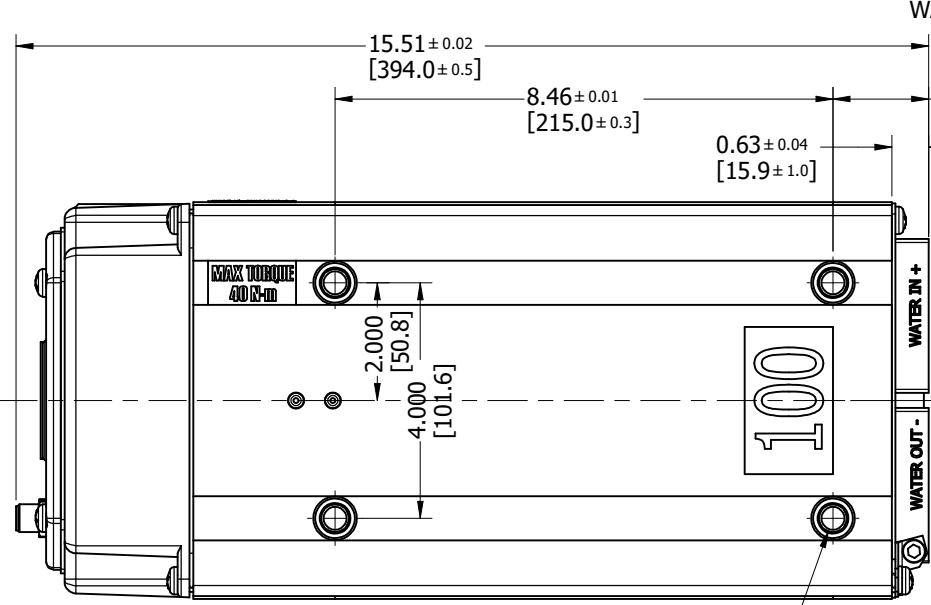
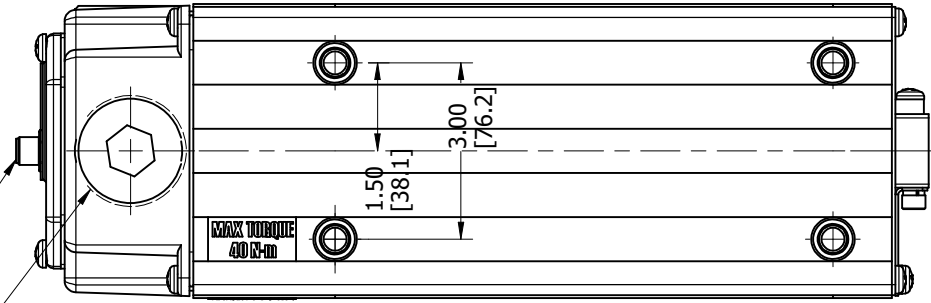


TURCK FS 4.4-0.5

PRIMARY OPENING  
 1 1/2 - 11.5 NPT 3X

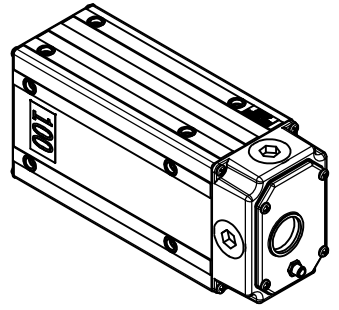


VIEW SHOWN WITH COVER REMOVED

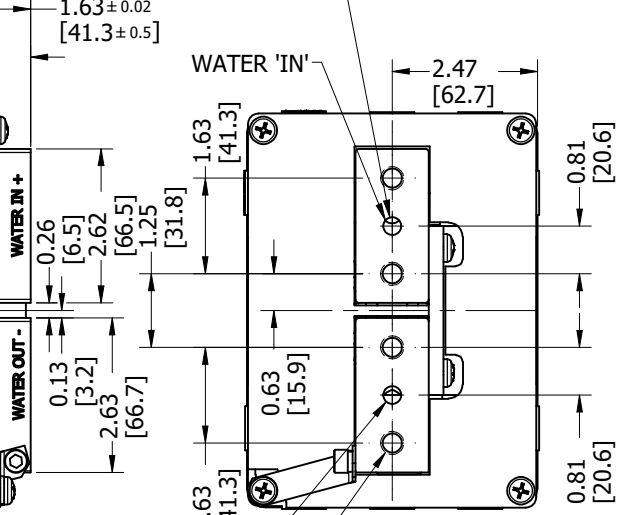


PRIMARY CONNECTION  
 M8x1.25 - 6g STUD 3X

MOUNTING HOLES  
 □ Ø11.5MM ∇ 4.5MM  
 M10x1.5 - 6H ∇ 13.5MM 16X  
 MAX TORQUE 40 N-m



WATER CONNECTION (2) PLS  
 USE 10MM I.D. O-RING  
 30°C INLET TEMP.



WATER 'IN' M10x1.5 - 6H ∇ 0.65 [15] 4X  
 WATER 'OUT'

NOTE\*  
 The secondary terminals of this device are intended as an electrical connection only. Applications must be designed to minimize any forces applied to the secondary terminals, this can be accomplished by transferring forces to a structural member.

NOTE:  
 SEE RC-8438 FOR RATING CURVE  
 SEE LC-8438 FOR LOAD CURVE

DIMENSIONS: IN [MM]

TOLERANCES UNLESS OTHERWISE SPECIFIED:  
 FRACTIONS = +/- 1/32  
 DECIMALS  
 .X = +/- .020  
 .XX = +/- .010  
 .XXX = +/- .005  
 .XXXX = +/- .0010  
 ANGLES = +/- 1'  
 FINISH IN RMS = 125 MAX  
 CONCENTRICITY = .010 TIR  
 BREAK ALL SHARP EDGES  
 UNLESS OTHERWISE SPECIFIED

REV	DESCRIPTION	DATE
1	POWER SUPPLY	

© 2020 Copyright RoMan Manufacturing. THIS DRAWING AND ALL THE INFORMATION AND TECHNOLOGY IN IT ARE EXCLUSIVE, CONFIDENTIAL AND PROPRIETARY TO ROMAN MANUFACTURING, INC. THIS DRAWING IS OWNED BY ROMAN MANUFACTURING, INC., AND UNLESS SPECIFICALLY AUTHORIZED IN WRITING, NO COPIES SHALL BE MADE OF THIS DRAWING, AND SHALL BE USED ONLY FOR THE LIMITED PURPOSE FOR WHICH IT IS DISCLOSED AND ONLY TO THE BENEFIT OF ROMAN MANUFACTURING, INC., AND IT AND ANY COPIES, AUTHORIZED OR NOT, SHALL BE IMMEDIATELY RETURNED UPON ANY REQUEST THEREFOR.

SCALE: NONE  
 DATE: 6/23/2020  
 MANUFACTURING

DETAILER: bconner  
 DESIGNER: bconner  
 APPROX WEIGHT: N/A

PHYSICAL DRAWING  
 DRAWING NUMBER: 8438-1

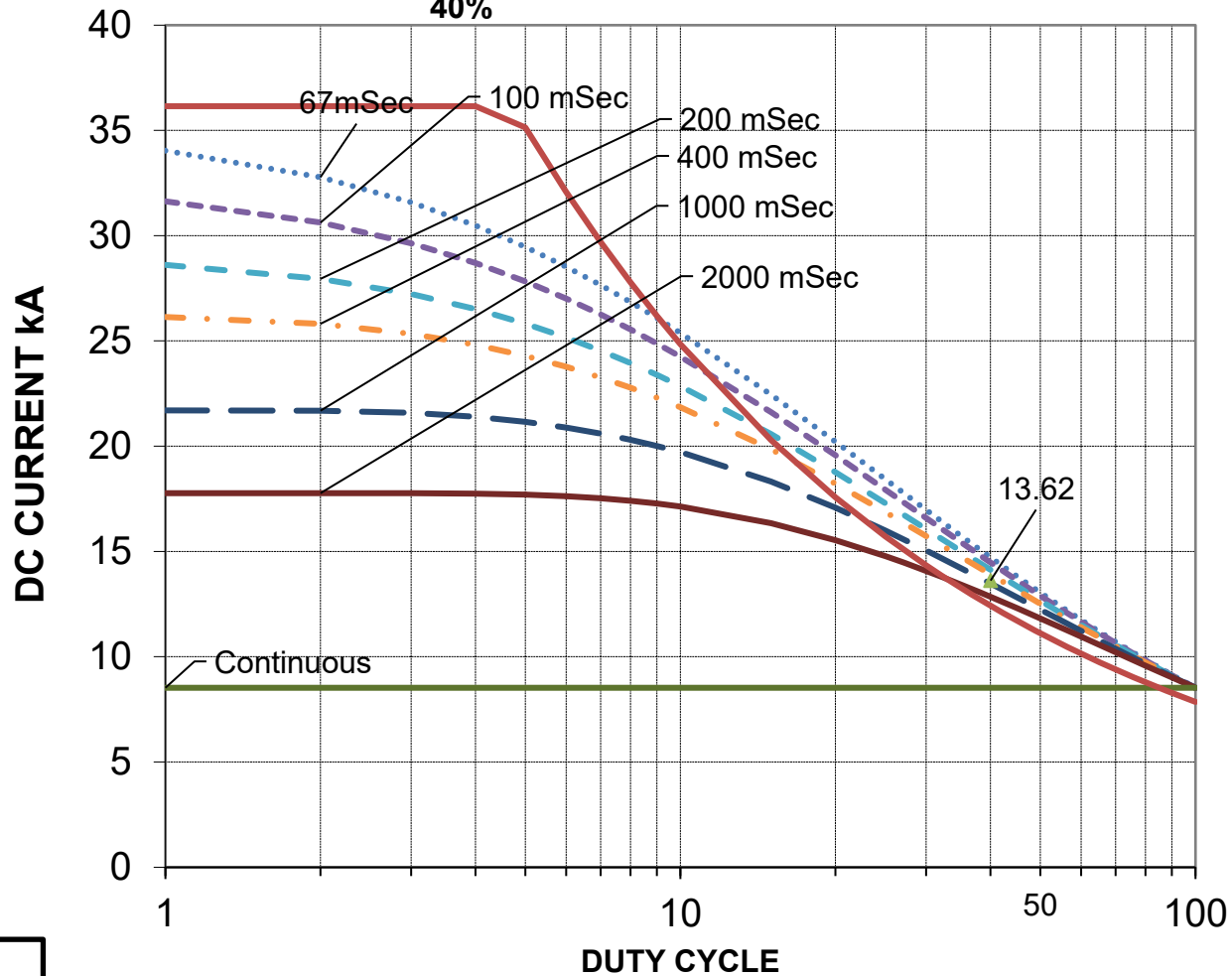
**Rating Curve for RoMan 13.6kA40PD , 1 coolant circuits at 1.585 GPM minimum ( 6.0 LPM) per circuit, 100 kVA @ 50% duty cycle and 9 VDC (transformer). 30 C max coolant inlet temp, 10 million weld life expectation at these conditions, Contact RoMan if duty cycle exceeds 40%**

Model Numbers  
 TDC-8438  
 TDC-8553  
 TDC-8554  
 TDC-8560  
 TDC-8561  
 TDC-8562  
 TDC-8563  
 TDC-8714  
 TDC-8746  
 TDC-8747

- ..... 67mSec
- - - 100 mSec
- - - 200 mSec
- . . 400 mSec
- . . 1000 mSec
- - - 2000 mSec
- - - Continuous
- - - Xfmr 9
- ▲ sample point, 0.8 s weld time, 40 % duty
- - - Series10

Rectifier % Duty Cycle is total "ON" time in 2.5 seconds

Transformer % Duty cycle is the total "On" time in 1 minute.



Rev: 8/18/2022 |by: RD