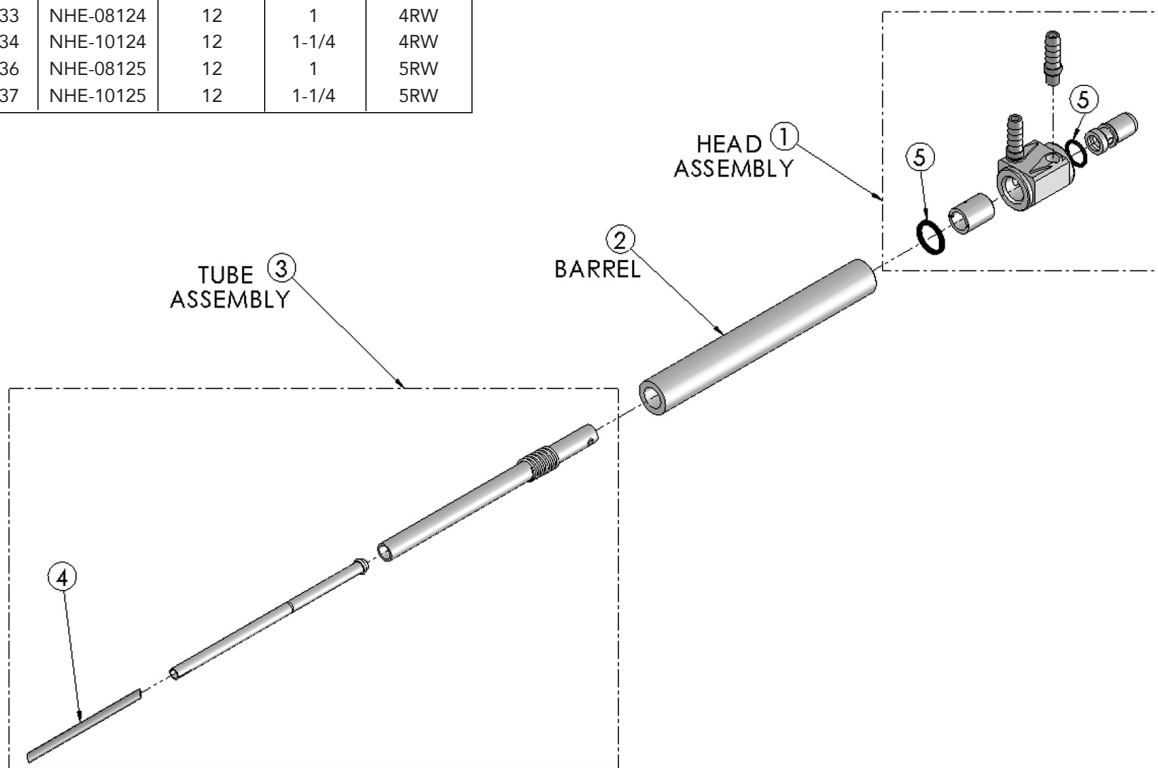




Part Number	Description	Barrel Length (in)	Barrel Dia. (in)	Tip Socket Taper
319-0206	NHE-08035	3	1	5RW
319-0207	NHE-10035	3	1-1/4	5RW
319-2011	NHE-06084	8	3/4	4RW
319-0212	NHE-07084	8	7/8	4RW
319-0213	NHE-08084	8	1	4RW
319-0214	NHE-10084	8	1-1/4	4RW
319-0216	NHE-08085	8	1	5RW
319-0217	NHE-10085	8	1-1/4	5RW
319-0231	NHE-06124	12	3/4	4RW
319-0232	NHE-07124	12	7/8	4RW
319-0233	NHE-08124	12	1	4RW
319-0234	NHE-10124	12	1-1/4	4RW
319-0236	NHE-08125	12	1	5RW
319-0237	NHE-10125	12	1-1/4	5RW

TUFFALOY NICKEL PLATED EJECTOR HOLDERS

TUFFALOY nickel plated ejector holders feature high conductivity copper with nickel plated surfaces for corrosion resistance and super conductivity. These holders also feature adjustable water tubes to insure proper water flow for all electrodes.



Description	Holder Assy.	1 Head Assy.	2 Barrel	3 Tube Assy.	4 Water Tube	5 Hose O-Ring Kit
NHE-08084	319-0213	195-0101	001-213B	195-0210	195-0017	037-0105
NHE-10084	319-0214	195-0101	001-214B	195-0210	195-0017	037-0105
NHE-08085	319-0216	195-0100	001-216B	195-0208	195-0015	037-0106
NHE-10085	319-0217	195-0100	001-217B	195-0208	195-0015	037-0106
NHE-08124	319-0233	195-0101	001-233B	195-0211	195-0017	037-0105
NHE-10124	319-0234	195-0101	001-234B	195-0211	195-0017	037-0105
NHE-08125	319-0236	195-0100	001-236B	195-0212	195-0015	037-0106
NHE-10125	319-0237	195-0100	001-237B	195-0212	195-0015	037-0106