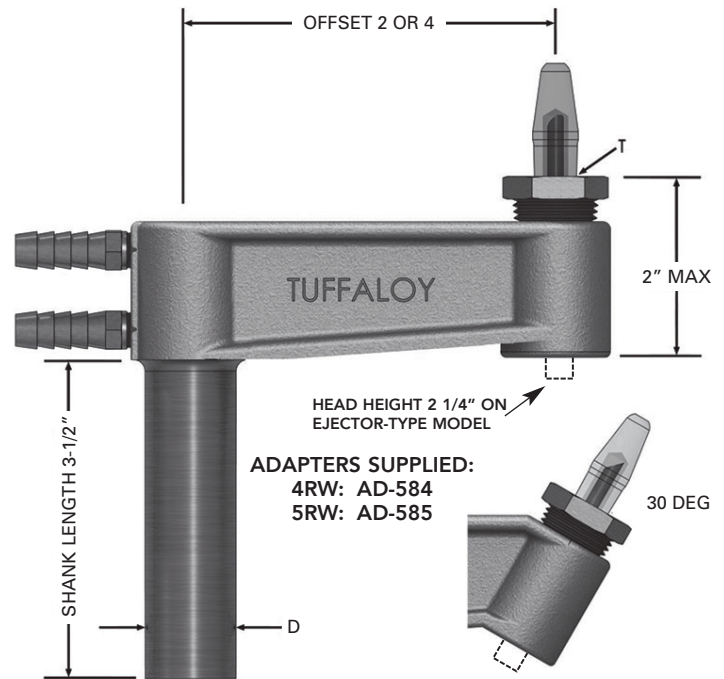


STANDARD OFFSET HOLDERS

TUFFALOY Cast Class 2 (C18200) alloy offset holders combine long life with good conductivity. Threaded tip adapters are easily replaced when tip socket is worn beyond use, or when you wish to change to a different taper size.

TUFFALOY offset holders are made in 2- and 4-inch offsets, and in four shank sizes, with 90° and 30° heads. They are supplied with adapters for No. 4 or No. 5 RW taper tips.

Tip Ejector mechanisms are available on all 90° head holders and the 30° head 4-in. offset holders.



TWO-INCH OFFSET HOLDERS

Adapter Tip Socket	Socket Angle	3/4" SHANK DIA.		7/8" SHANK DIA.		1" SHANK DIA.		1-1/4" SHANK DIA.		1-1/2" SHANK DIA.	
		Description	Part No.	Description	Part No.	Description	Part No.	Description	Part No.	Description	Part No.
4RW	30°	ON-754-230	335-1300	ON-874-230	335-1400	ON-14-230	335-1000	ON-1254-230	335-1100	ON-154-230	335-1200
4RW	90°	ON-754-290	335-1310	ON-874-290	335-1410	ON-14-290	335-1010	ON-1254-290	335-1110	ON-154-290	335-1210
5RW	30°	ON-755-230	335-1350	ON-875-230	335-1450	ON-15-230	335-1050	ON-1255-230	335-1150	ON-155-230	335-1250
5RW	90°	ON-755-290	335-1360	ON-875-290	335-1460	ON-15-290	335-1060	ON-1255-290	335-1160	ON-155-290	335-1260

FOUR-INCH OFFSET HOLDERS

4RW	30°	ON-754-430	335-1320	ON-874-430	335-1420	ON-14-430	335-1020	ON-1254-430	335-1120	ON-154-430	335-1220
4RW	90°	ON-754-490	335-1330	ON-874-490	335-1430	ON-14-490	335-1030	ON-1254-490	335-1130	ON-154-490	335-1230
5RW	30°	ON-755-430	335-1370	ON-875-430	335-1470	ON-15-430	335-1070	ON-1255-430	335-1170	ON-155-430	335-1270
5RW	90°	ON-755-490	335-1380	ON-875-490	335-1480	ON-15-490	335-1080	ON-1255-490	335-1180	ON-155-490	335-1280

TWO-INCH EJECTOR STYLE OFFSET HOLDERS

Adapter Tip Socket	Socket Angle	3/4" SHANK DIA.		7/8" SHANK DIA.		1" SHANK DIA.		1-1/4" SHANK DIA.		1-1/2" SHANK DIA.	
		Description	Part No.	Description	Part No.	Description	Part No.	Description	Part No.	Description	Part No.
4RW	90°	OE-754-290	335-0310	OE-874-290	335-0410	OE-14-290	335-0010	OE-1254-290	335-0110	OE-154-290	335-0210
5RW	90°	OE-755-290	335-0360	OE-875-290	335-0460	OE-15-290	335-0060	OE-1255-290	335-0160	OE-155-290	335-0260

FOUR-INCH EJECTOR STYLE OFFSET HOLDERS

4RW	30°	OE-754-430	335-0320	OE-874-430	335-0420	OE-14-430	335-0020	OE-1254-430	335-0120	OE-154-430	335-0220
4RW	90°	OE-754-490	335-0330	OE-874-490	335-0430	OE-14-490	335-0030	OE-1254-490	335-0130	OE-154-490	335-0230
5RW	30°	OE-755-430	335-0370	OE-875-430	335-0470	OE-15-430	335-0070	OE-1255-430	335-0170	OE-155-430	335-0270
5RW	90°	OE-755-490	335-0380	OE-875-490	335-0480	OE-15-490	335-0080	OE-1255-490	335-0180	OE-155-490	335-0280

