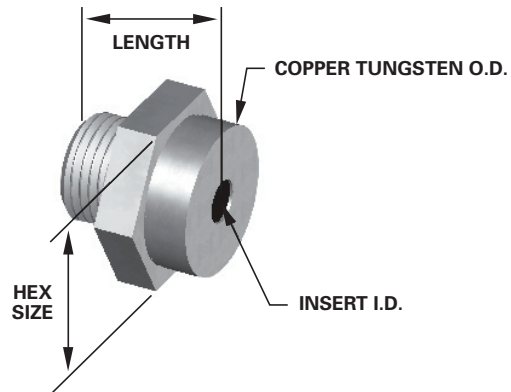


GH SERIES NUT WELDING HEADS

Tuffaloy's Evolution™ GH series Nut Welding Heads are designed for long life, wear resistance and insulation against arcing. Custom lengths, weld faces and diameters available.



	GH-2 Series	GH-3 Series	GH-4 Series	Insert I.D.
Length	0.875	1.000	1.125	
Tungsten OD	0.875	1.250	1.500	
Hex Size	1.000	1.375	1.625	
Thread Size	5/8-18	7/8-14	1 1/8-12	
	175-GH-2-188-SS	175-GH-3-188-SS		0.188
	175-GH-2-193-SS	175-GH-3-193-SS		0.193
	175-GH-2-197-SS			0.197
		175-GH-3-200-SS		0.200
	175-GH-2-212-SS			0.212
	175-GH-2-218-SS			0.218
	175-GH-2-239-SS			0.239
	175-GH-2-240-SS			0.240
	175-GH-2-242-SS	175-GH-3-242-SS		(6mm) 0.242
	175-GH-2-245-SS	175-GH-3-245-SS		0.245
		175-GH-3-247-SS		0.247
	175-GH-2-250-SS			0.250
		175-GH-3-251-SS		0.251
	175-GH-2-252-SS			0.252
		175-GH-3-254-SS		0.254
	175-GH-2-258-SS			0.258
		175-GH-3-262-SS		0.262
	175-GH-2-263-SS			0.263
		175-GH-3-264-SS		0.264
	175-GH-2-272-SS	175-GH-3-272-SS		0.272
	175-GH-2-273-SS	175-GH-3-273-SS		0.273
	175-GH-2-275-SS			0.275
	175-GH-2-277-SS			0.277
		175-GH-3-278-SS		0.278
	175-GH-2-280-SS			0.280
	175-GH-2-282-SS			0.282
	175-GH-2-287-SS			0.287
	175-GH-2-292-SS			0.292
		175-GH-3-295-SS		0.295
	175-GH-2-312-SS	175-GH-3-312-SS		0.312
		175-GH-3-317-SS		(8mm) 0.317
	175-GH-2-322-SS	175-GH-3-322-SS		0.322
	175-GH-2-325-SS		175-GH-4-325-SS	0.325
		175-GH-3-326-SS		0.326
		175-GH-3-332-SS		0.332
		175-GH-3-337-SS		0.337
				0.342
		175-GH-3-347-SS		0.347
		175-GH-3-351-SS	175-GH-4-351-SS	0.351
		175-GH-3-352-SS		0.352
				0.354
		175-GH-3-357-SS		0.357

GH-2 Series	GH-3 Series	GH-4 Series	Insert I.D.
0.875	1.000	1.125	
0.875	1.250	1.500	
1.000	1.375	1.625	
5/8-18	7/8-14	1 1/8-12	
175-GH-2-359-SS			0.359
175-GH-2-368-SS			0.368
175-GH-2-372-SS	175-GH-3-372-SS		0.372
	175-GH-3-392-SS		0.392
	175-GH-3-397-SS		(10mm) 0.397
	175-GH-3-412-SS		0.412
	175-GH-3-417-SS		0.417
	175-GH-3-423-SS		0.423
	175-GH-3-425-SS		0.425
	175-GH-3-427-SS		0.427
	175-GH-3-430-SS		0.430
	175-GH-3-432-SS		0.432
	175-GH-3-437-SS		0.437
	175-GH-3-445-SS		0.445
	175-GH-3-447-SS		0.447
	175-GH-3-452-SS		0.452
	175-GH-3-465-SS		0.465
	175-GH-3-467-SS		0.467
	175-GH-3-470-SS		0.470
	175-GH-3-472-SS		0.472
	175-GH-3-480-SS		(12mm) 0.480
	175-GH-3-504-SS		0.504
	175-GH-3-507-SS		0.507
	175-GH-3-508-SS		0.508
		175-GH-4-509-SS	0.509
	175-GH-3-512-SS		0.512
	175-GH-3-517-SS		0.517
	175-GH-3-522-SS		0.522
		175-GH-4-532-SS	0.532
	175-GH-3-534-SS		0.534
	175-GH-3-538-SS		0.538
	175-GH-3-542-SS		0.542
	175-GH-3-547-SS		0.547
	175-GH-3-548-SS		0.548
	175-GH-3-552-SS		0.552
	175-GH-3-557-SS		0.557
			0.587
			0.592
			0.632
			0.656
		175-GH-4-667-SS	0.667
		175-GH-4-677-SS	0.677

